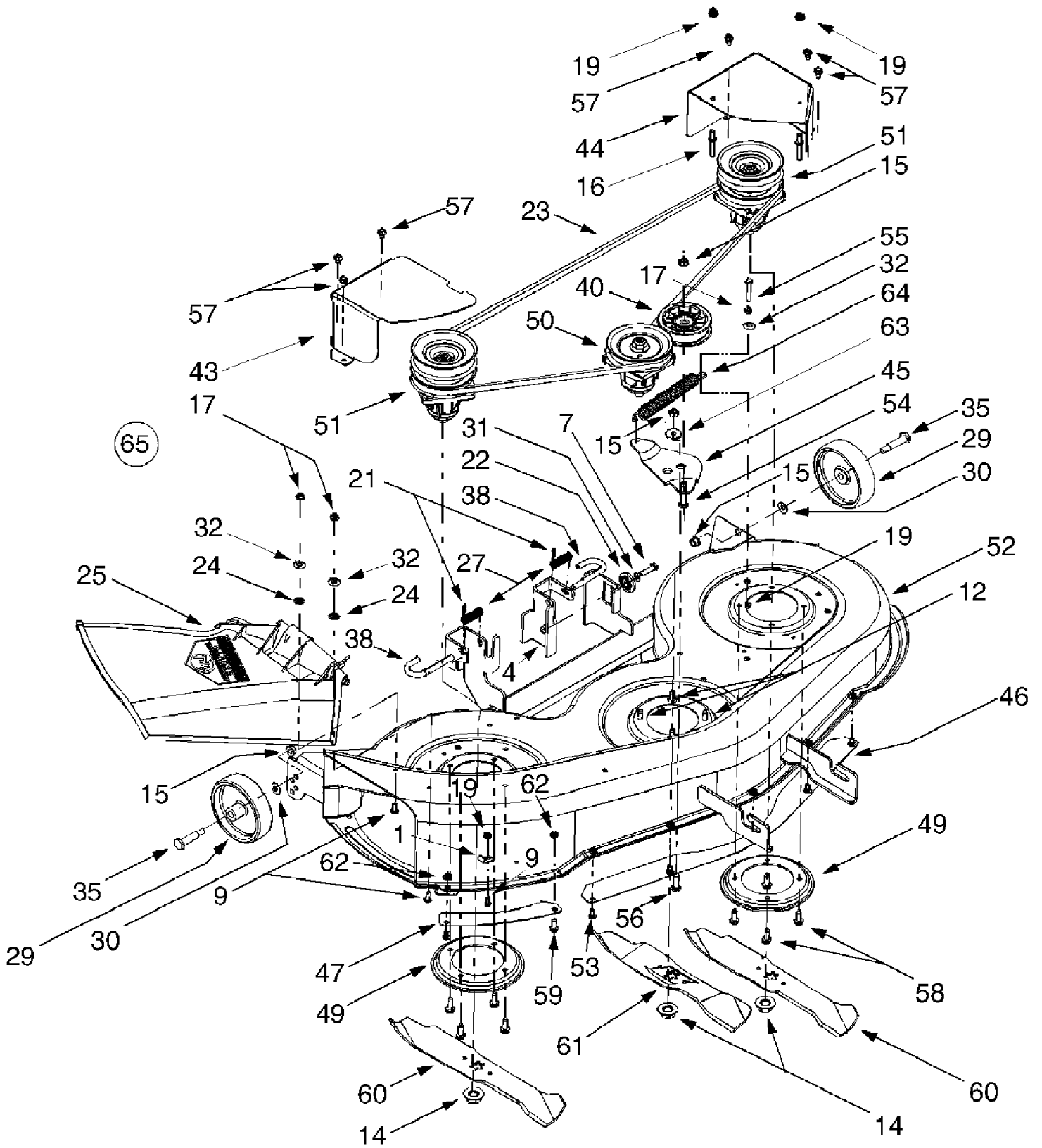


13AT616H190 LT-1850 (2000)
46" Cutting Deck

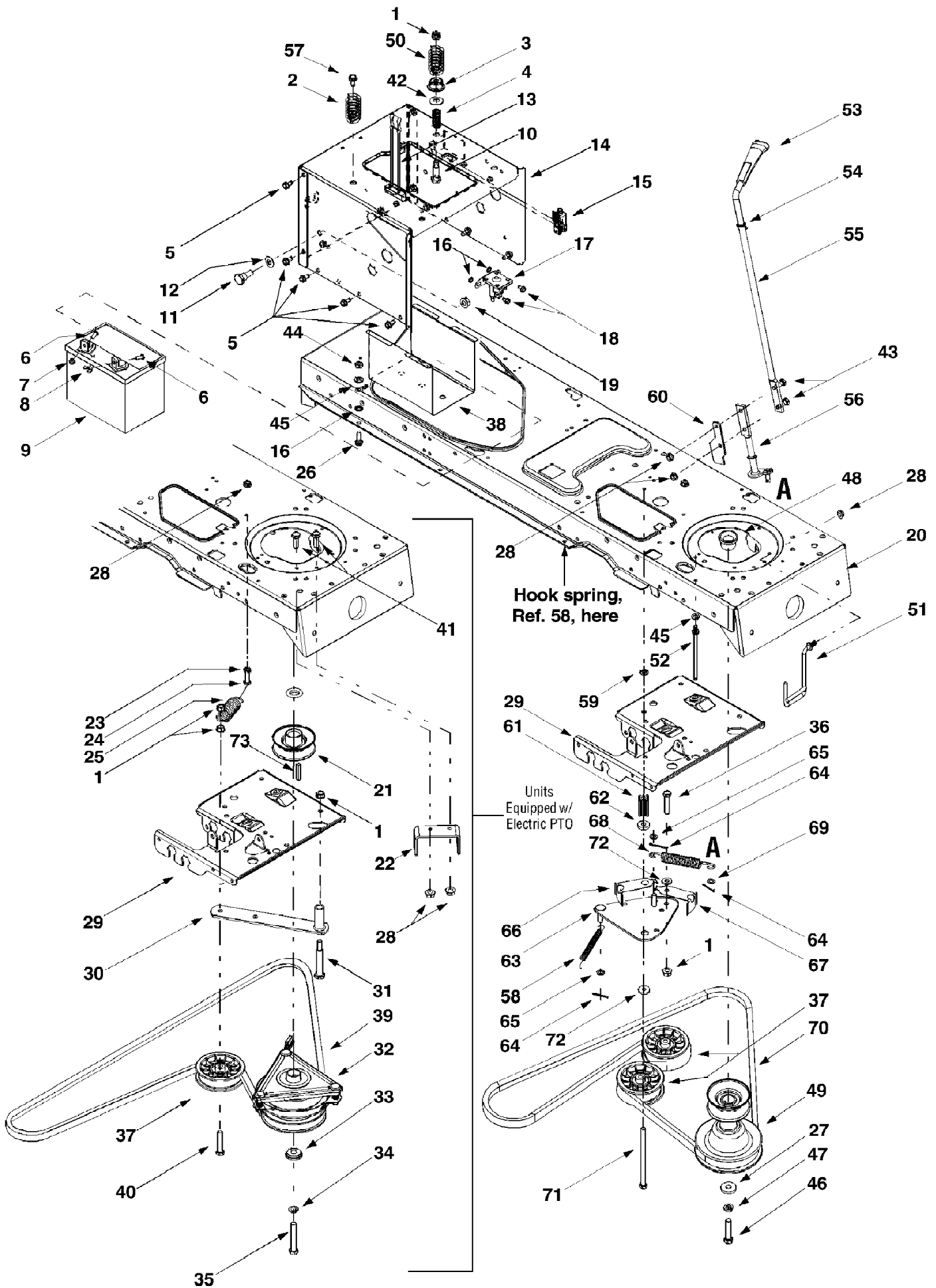


13AT616H190 LT-1850 (2000)
46" Cutting Deck

Page 2 of 23

Ref #	Part Number	Qty	S/P/F	Description
1	16606	1	S	Retainer Hook
4	683-0254	1	S	Deck Adjustment Bracket w/ Weld Nut
7	710-0528	1	/P	Hex Cap Screw, 5/16-18 x 1.25
9	710-0751	1	/P	Hex Cap Screw, 1/4-20 x .62
12	710-1260A	1	/P	Self-tapping Screw, 5/16-18 x .75
14	712-0417A	1	/P	Hex Flange Nut, 5/8-18
15	712-0431	1	S	Flange Lock Nut, 3/8-16
16	711-0993	1	S	Belt Keeper Pin
17	712-3006	1	/P	Hex Nut, 1/4-20
19	712-3027	1	S	Hex Flange Lock Nut, 1/4-20
21	714-0111	1	S	Cotter Pin, 3/32 x 1.0
22	717-1553A	1	S	Deck Adjustment Gear
23	754-0349	1	S	Deck Belt
24	726-0233	1	/P	Push Nut. .25 x .5
25	731-1032B	1	S	Side Discharge Chute Assembly
27	732-0306	1	S	Compression Spring, .406 x .531 x 1.75
29	734-0973	1	/P	Deck Wheel, 5 x 1.38
30	736-0105	1	/P	Bell Washer, .401 x .87 x .063
31	736-0119	1	S	Lock Washer, 5/16
32	736-0270	1	/P	Bell Washer, .265 x .75 x .062
35	738-0373	1	S	Shoulder Screw, .498 x 1.53
38	747-1116	1	/P	Deck Release Pin
40	756-0627	1	S	Flat Idler Pulley, 3.5 OD
43	783-0805A	1	S	RH Belt Cover
44	783-0747	1	S	LH Belt Cover
45	783-0139	1	S	Idler Bracket
46	783-0141	1		Center Deck Skirt
47	783-0142	1	S	RH Deck Skirt
49	17928	1		Reinforcement Spindle Plate
50	618-0430	1	S	Spindle Assembly, 5.0 Dia.
51	618-0431	1	S	Double Pulley Spindle Assembly
52	683-0265C	1	/P	46-inch Deck Shell
53	710-0167	1	/P	Carriage Screw, 1/4-20 x .50
54	710-0347	1	/P	Hex Cap Screw, 3/8-16 x 1.75
55	710-0501	1	/P	Hex Cap Screw, 1/4-20 x 2.0
56	710-0514	1	/P	Hex Cap Screw, 3/8-16 x 1.0
57	710-0599	1	/P	Self-tapping Screw, 1/4-20 x .5
58	710-0650	1	/P	Self-tapping Screw, 15/16-18 x .875
59	710-0703	1	/P	Hex Screw, 1/4-20 x .75
60	742-0611	1	S	Three-in-one Blade, Star Center, 16.28"
61	742-0612	1	S	Three-in-one Blade, Star Center, 14.88"
62	712-0271	1	/P	Hex Sems Nut, 1/4-20
63	738-0347	1	S	Shoulder Spacer, .625 x 1.16
64	732-0594A	1	S	Extension Spring, .91 x 7.33
65	753-0874	1	/P	46-inch Deck Assembly Complete (Electric PTO activated)

13AT616H190 LT-1850 (2000)
Battery, PTO Drive, Frame



13AT616H190 LT-1850 (2000)
Battery, PTO Drive, Frame

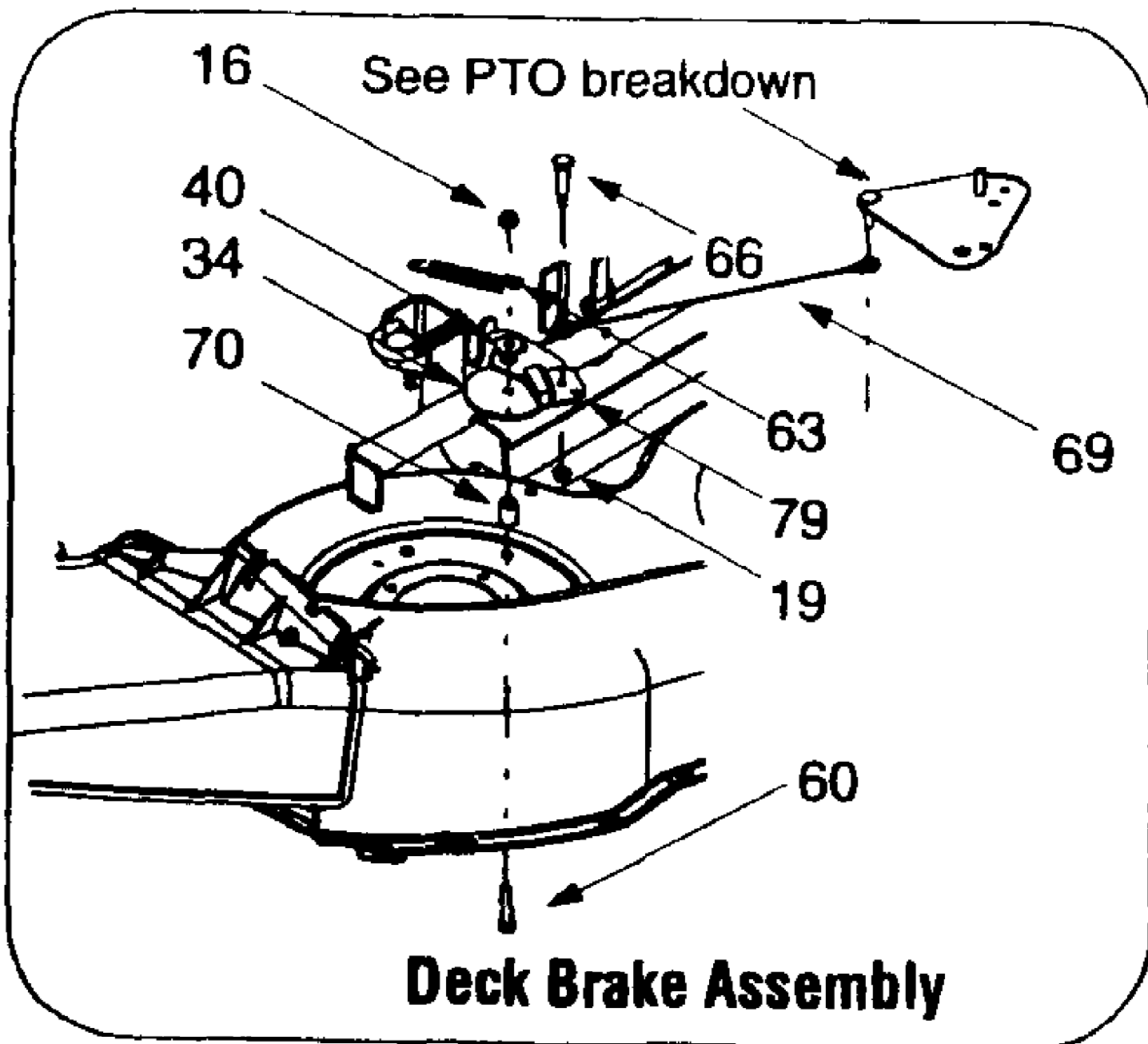
Page 4 of 23

Ref #	Part Number	Qty	S/P/F	Description
1	712-0431	1	S	Flange Lock Nut, 3/8-16
2	732-0996	1		Compression Spring, 1.31 x 3.0
3	783-0733	1		Spacer Cup, 1.5 OD
4	732-0997	1		Compression Spring, .66 OD x 1.5
5	710-0604A	1	/P	Self-tapping Screw, 5/16-18 x .625
6	710-0751	1	/P	Hex Cap Screw, 1/4-20 x .62
7	712-0271	1	/P	Hex Sems Nut, 1/4-20
8	712-3044	1		Wing Nut, 1/4-20
9	725-1706	1	S	12-volt Battery, 270 CCA
10	738-1014	1	/P	Shoulder Screw, .5 x 1.25, 3/8-16
11	738-1020	1		Shoulder Screw, .625 x .5, 7/16-20
12	736-0407	1		Bell Washer, .45 x 1.0 x .062
13	723-0444	1		Battery Strap
14	783-1031	1		Hitch Plate
15	725-1747	1	S	Safety Interlock Plunger Switch
16	736-0222	1	S	Lock Washer, 1/4
17	725-1426	1	S	Solenoid, 12-Volt, 100 Amp
18	710-0599	1	/P	Self-Tapping Screw, 1/4-20 x .5
19	712-0459	1	/P	Flange Lock Nut, 7/16-20
20	683-0304	1	S	Lower Frame Assembly
21	756-0978	1	S	Engine Pulley
22	783-1003	1	S	Electric Clutch Anti-Rotation Bracket
23	712-3010	1	S	Hex Nut, 5/16-18
24	710-3180	1	/P	Hex Cap Screw, 5/16-18 x 1.75
25	732-0978	1		Extension Spring, 1.2 OD x 3.638
26	710-0642	1	/P	Self-tapping Screw, 1/4-20 x .750
27	736-0322	1	/P	Flat Washer, .45 x 1.25 x .164
28	712-3004A	1	/P	Flange Lock Nut, 5/16-18
29	783-0653C	1	S	Steering Support Bracket
30	683-0297	1	S	Idler Bracket Assembly
31	738-0982	1		Shoulder Screw, .498 x 3.245, 3/8-16
32	717-1708	1	S	Electric PTO Clutch
33	738-0785	1	S	Shoulder Spacer, 1.38 x .445 x .36
34	736-0171	1	S	Lock Washer, 7/16
35	710-3157	1	S	Hex Cap Screw, 7/16-20 x 3.25
36	710-3011	1	/P	Hex Cap Screw, 3/8-16 x 2.25
37	756-0627	1	S	Flat Idler Pulley, 3.5 OD
38	783-0349	1		Battery Tray
39	754-0474	1	S	PTO Belt (46-inch Decks w/ Electric PTO)
40	710-3144	1	/P	Hex Cap Screw, 3/8-16 x 2.0
41	710-3025	1	/P	Hex Cap Screw, 5/16-18 x .625
42	736-0105	1	/P	Bell Washer, .401 x .870 x .063
43	710-0376	1	/P	Hex Cap Screw, 5/16-18 x 1.0
44	712-3006	1	/P	Hex Nut, 1/4-20
45	736-0119	1	S	Lock Washer, 5/16
46	710-3029	1	/P	Hex Cap Screw, 7/16-20 x 1.25
47	736-0171	1	S	Lock Washer, 7/16
48	750-0956	1		Spacer
49	756-0983A	1	S	Engine Pulley
50	732-0735	1	/P	Extension Spring, 1.318 x 2.37
51	647-0053	1	S	Belt Guard
52	711-1044	1	S	Keeper Pin
53	731-2111A	1	S	PTO Knob

13AT616H190 LT-1850 (2000)
Battery, PTO Drive, Frame

Page 5 of 23

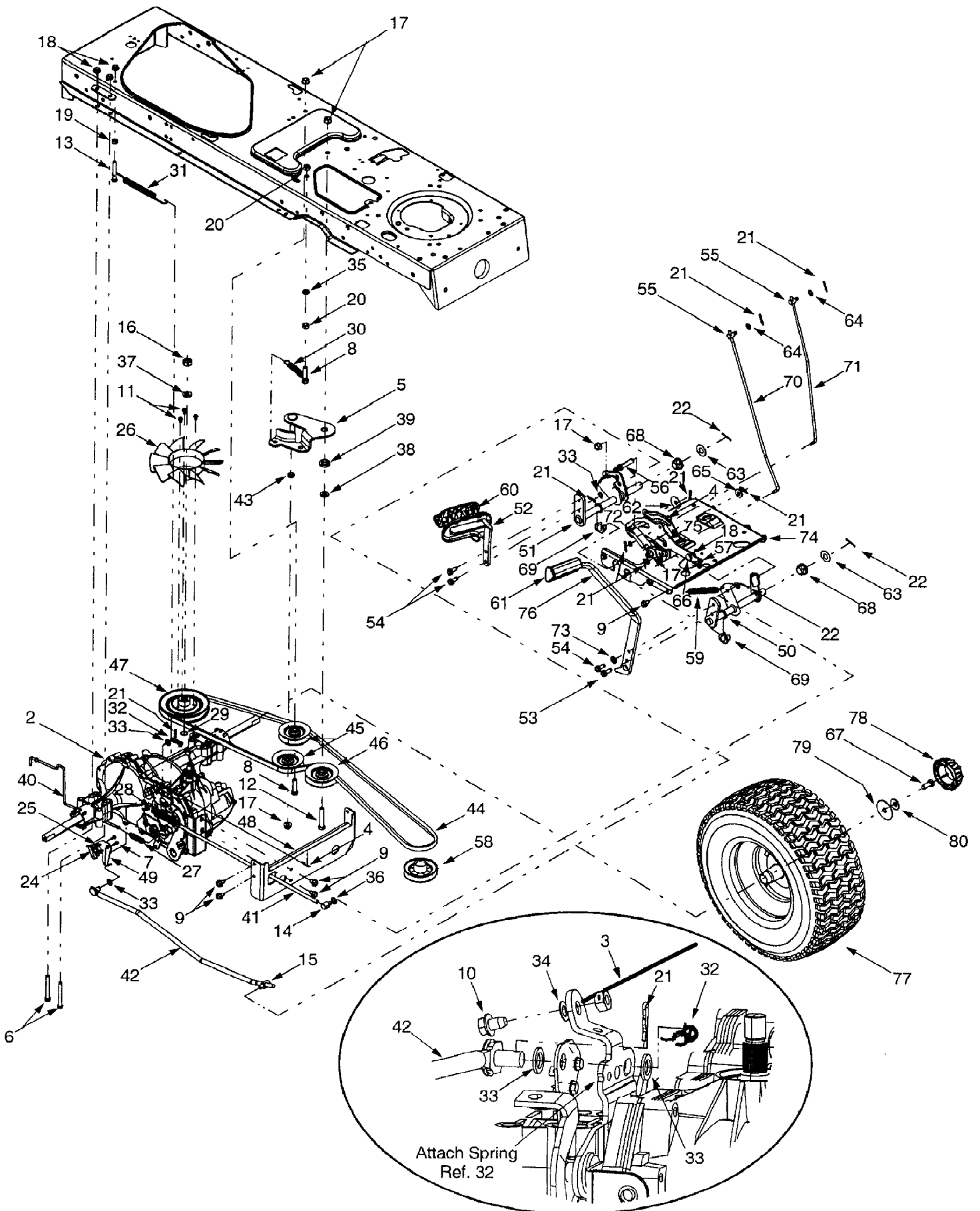
Ref #	Part Number	Qty	S/P/F	Description
54	736-0108	1	S	Flat Washer, .510 x .750 x .033
55	747-1112A	1	S	PTO Handle
56	647-0046	1	S	PTO Lever
57	710-0650	1	/P	Self-Tapping Screw, 15/16-18 x .875
58	732-0995	1		Extension Spring, .5 x 6.0
59	712-0229	1		Push Nut, 3/8
60	783-0744A	1		Engagement Stop Bracket
61	748-0415A	1	S	Spacer, 3/8 x 1.54
62	738-0372	1	S	Shoulder Spacer
63	683-0302	1	/P	PTO Engagement Plate
64	714-0470	1	S	Cotter Pin, 1/8 x 1.25
65	736-0140	1	S	Flat Washer, .385 x .62 x .063
66	732-0991	1	S	Belt Guard
67	732-0990	1		Belt Guard
68	732-0944	1		Extension Spring, .75 x 6.75 LG
69	736-0275	1	S	Flat Washer, .344 x .688 x .065
70	754-0485	1	S	PTO Belt (42-inch Decks w/ Manual PTO)
71	710-0831	1		Hex Cap Screw, 3/8-16 x 5.5
72	736-3010	1		Flat Washer, .407 x .812 x .135
73	714-0118	1	/P	Square Key



13AT616H190 LT-1850 (2000)
Deck Brake Assembly

Page 7 of 23

Ref #	Part Number	Qty	S/P/F	Description
16	712-3004A	1	/P	FLANGE LOCK NUT 5/16 x 18
19	712-3027	1	S	HEX FLANGE NUT 1/4 x 20
34	736-0416	1		FLAT WASHER.320 x 3.0 x .125
40	738-0347	1	S	SHOULDER SPACER
60	710-0805	1	/P	HEX CAP SCREW
63	732-0429A	1	S	EXTENSION SPRING
66	738-0572	1	S	SHOULDER SCREW.374 x 1.16 (46" DECK)
69	746-1107	1		BRACKET CABLE 12" (46" DECK)
70	750-0807	1		SPACER .385 x .625 x .70
79	17116	1	S	DECK BRAKE ASSY. (46" DECK)



13AT616H190 LT-1850 (2000)
Drive & Rear Axle

Page 9 of 23

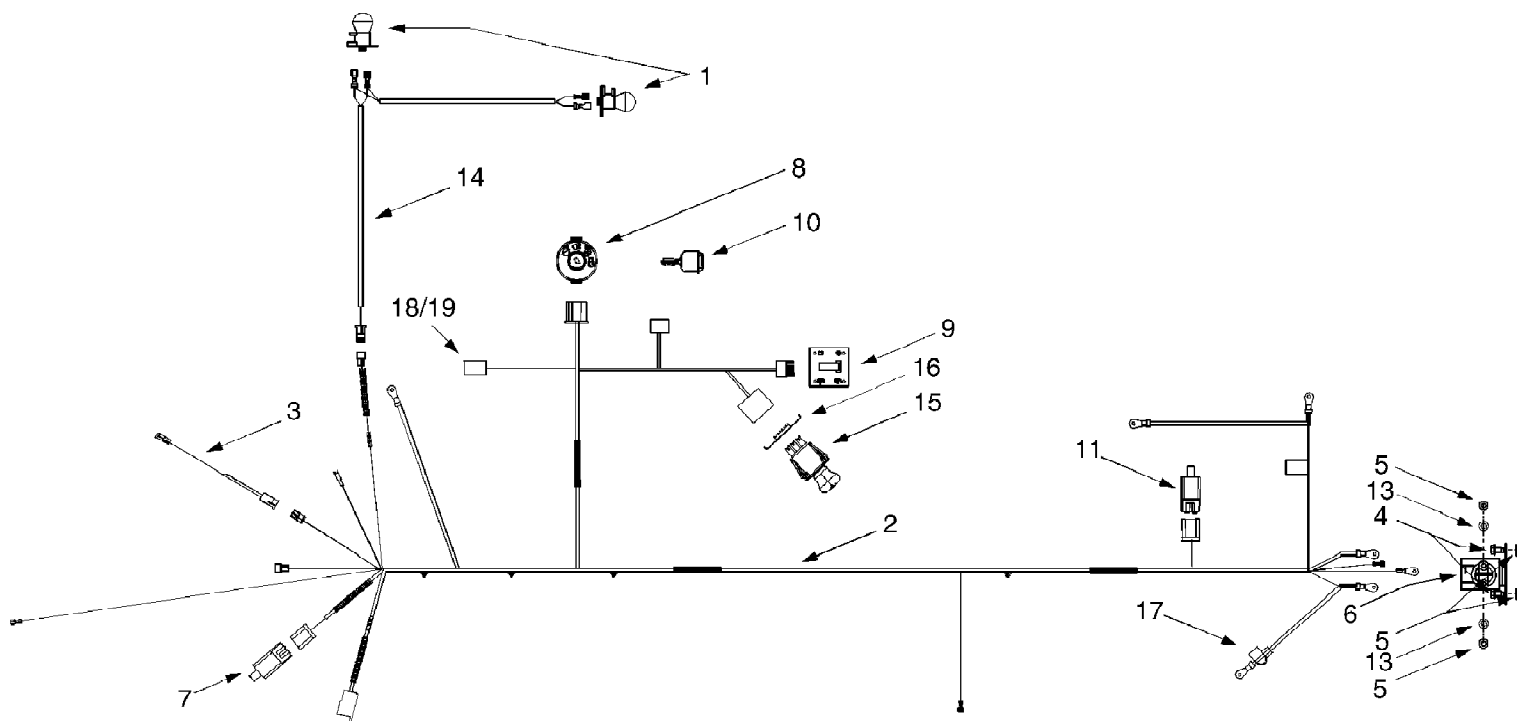
Ref #	Part Number	Qty	S/P/F	Description
1	17840	1	S	Transaxle Mounting Bracket
2	618-0319	1	S	Hydrostatic Transmission
3	629-0949A	1		Reverse Wire Harness Adapter & Ground
4	783-0780A	1	S	Neutral Return Bracket
5	683-0251	1		Double Idler Bracket Assembly
6	710-0176	1	/P	Hex Cap Screw, 5/16-18 x 2.75
7	710-0227	1	/P	Screw, #8-18 x .5
8	710-0344	1	/P	Hex Cap Screw, 3/8-16 x 1.5
9	710-0604A	1	/P	Self-tapping Screw, 5/16-18 x .625
10	710-0653	1	/P	Self-tapping Screw, 1/4-20 x .375
11	710-3007	1	/P	Screw, #12-24 x .375
12	710-3011	1	/P	Hex Cap Screw, 3/8-16 x 2.25
13	710-3103	1	/P	Hex Cap Screw, 5/16-18 x 2.0
14	711-0677	1	S	Ferrule, 5/16-18
15	711-0832	1	S	Ferrule, 3/8-24
16	712-0333	1	S	Hex Nut, 1/2-20
17	712-0431	1	S	Flange Lock Nut, 3/8-16
18	712-3004A	1	/P	Flange Lock Nut, 5/16-18
19	712-3010	1	S	Hex Nut, 5/16-18
20	712-3017	1	S	Hex Nut, 3/8-16
21	714-0104	1	S	Internal Cotter Pin
22	714-0111	1	S	Cotter Pin
23	725-0157	1	/P	Cable Tie
24	725-1644	1		Short Spring Switch
25	726-0320	1	S	Insulator Nut Plate
26	731-1449A	1	S	10-inch Fan
27	732-0209	1	S	Extension Spring, .48 x 2.03
28	732-0716	1	S	Extension Spring, .59 x 4.0
29	732-0729	1	/P	Wire Ring
30	732-0429A	1	S	Extension Spring, .5 x 3.97
31	732-0994	1		Extension Spring, .5 x 7.0
32	732-3118	1		Extension Spring, 3/8 x 1.44
33	736-0140	1	S	Flat Washer, .385 x .62 x .063
34	736-0142	1	S	Flat Washer, .281 x .50 x .063
35	736-0169	1	S	Lock Washer, 3/8
36	736-0275	1	S	Flat Washer, .344 x .688 x .065
37	736-0921	1	S	Lock Washer, 1/2
38	736-3010	1		Flat Washer, .407 x .812 x .135
39	738-0372	1	S	Shoulder Spacer, .38
40	747-1149	1		Hydrostatic Bypass Rod
41	747-1150	1		Hydrostatic Brake Rod
42	747-1151	1		Hydrostatic Control Rod
43	750-0535	1	S	Spacer, .376 x .625 x .22
44	754-0349	1	S	Drive Belt
45	756-0116	1	S	V idler Pulley, 3.06
46	756-0981A	1	S	Flat Idler Pulley, 2.75
47	756-1166	1		Input Pulley, 5.0
48	783-0810	1	S	Transmission Torque Bracket
49	783-1019	1	S	Switch Actuator Bracket
50	647-0031	1	S	Brake Control Assembly
51	647-0049	1	S	Drive Control Assembly
52	683-0267C	1	/P	Hydro Pedal Assembly
53	710-0650	1	/P	Self-tapping Screw, 5/16-18 x .875

13AT616H190 LT-1850 (2000)
Drive & Rear Axle

Page 10 of 23

Ref #	Part Number	Qty	S/P/F	Description
54	710-1260A	1	/P	Self-tapping Screw, 5/16-18 x .75
55	711-0736	1	/P	Ferrule, 1/4-20
56	711-1363	1		Pin, 3/8-16 x 2.43
57	732-0437	1		Compression Spring, .34 OD x 1.0
58	756-0978A	1	S	Engine Pulley
59	732-0963	1		Extension Spring, .50 OD x 6.37
60	735-0662	1		Drive Pedal Pad
61	735-3049	1	S	Brake Pedal Pad
62	736-0133	1	S	Flat Washer, .411 x 1.25 x 1.0
63	736-0187	1	/P	Flat Washer, .64 x 1.24 x .06
64	736-0204	1	/P	Flat Washer, .344 x .062 x .03
65	736-3004	1	S	Flat Washer, .406 x .875 x .105
66	738-0155	1	S	Shoulder Screw, .437 x 1.62
67	710-0627	1	/P	Hex Cap Screw, 5/16-24 x .75
68	741-0225	1	S	Hex Flange Bearing
69	741-3065A	1	S	Split Hex Flange Bearing
70	747-1137	1		Cruise Control Rod
71	747-1138	1		Brake Lock Control Rod
72	748-0413	1		Cruise Latch
73	736-3008	1	S	Flat Washer, .344 x .750 x .120
74	783-0653D	1	S	Steering Support Bracket
75	783-0663C	1	S	Drive Lockout Bracket
76	783-0773	1		Brake Pedal
77	634-0177	1	/P	Wheel Assembly Complete 20 x 10 x 8 Square Shoulder
77	634-0104	1		Wheel Assembly Complete 20 x 8 x 8 Square Shoulder
77	734-1675	1		Wheel Assembly Complete 20 x 8 x 8 Round Shoulder
77	634-0070	1	/P	Rim Assembly Only (Not Shown)
77	734-0255	1	S	Air Valve (Not Shown)
77	734-1873	1		Tire Only, 20 x 10 x 8, Square Shoulder (Not Shown)
77	734-1730	1		Tire Only, 20 x 8 x 8, Square Shoulder (Not Shown)
77	734-1596	1		Tire Only, 20 x 8 x 8, Round Shoulder (Not Shown)
78	731-2290A	1	/P	Deluxe Hub Cap (Ref. 79 Required)
79	736-0430	1	/P	Flat Washer, .350 x 1.59 x .062
80	736-0242	1	/P	Bell Washer, .34 x .872

13AT616H190 LT-1850 (2000)
Electrical



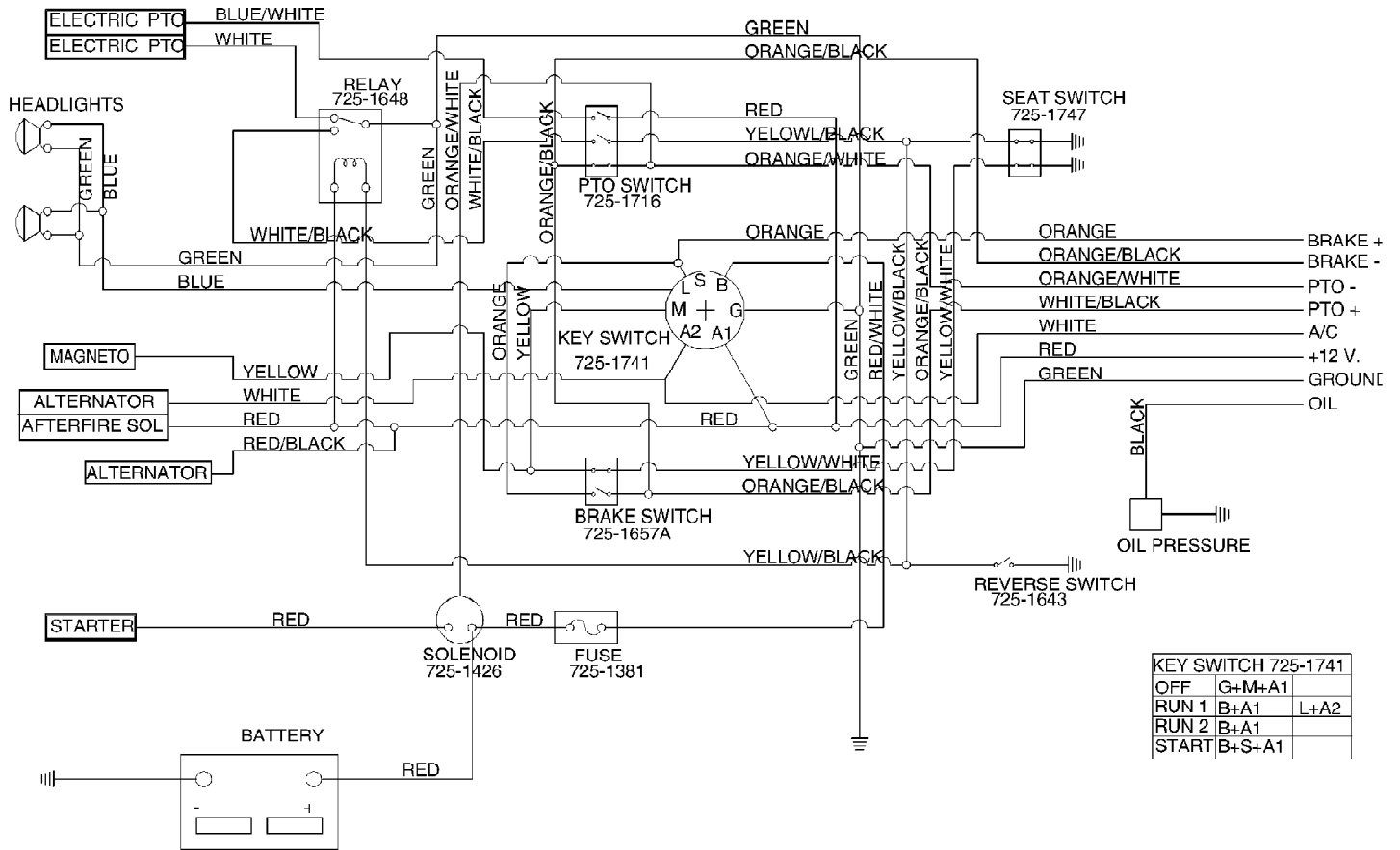
13AT616H190 LT-1850 (2000)
Electrical

Page 12 of 23

Ref #	Part Number	Qty	S/P/F	Description
1	625-0051	1	S	Bulb/Socket Headlight Assembly
2	629-0943	1		Wiring Harness w/o Ref. 14 (LT-1650)
	629-0939	1		Wiring Harness w/o Ref. 14 (LT-1850 & 2150)
3	629-0126	1		Harness Adapter, #18 x 5
4	710-0599	1	/P	Self Tapping Screw, 1/4-20 x .5
5	712-3006	1	/P	Hex Nut, 1/4-20
6	725-1426	1	S	Solenoid, 12-volt, 100 Amp
7	725-1657A	1	S	Snap Mount Safety Interlock Switch (Brake)
8	725-1741	1	S	Ignition Switch
9	725-1743	1	S	Indicator Monitor / Hour Meter
10	725-1745	1	S	Ignition Key
11	725-1747	1	S	Safety Plunger Switch (Seat)
?12	736-0222	1	S	External Lock Washer, 1/4
13	736-0329	1	S	Lock Washer, 1/4
14	629-0309	1	S	Headlight Harness
15	725-1752	1	S	Electric PTO Switch (LT-1850 & 2150 only)
16	783-0462	1	/P	Retainer Bracket (LT-1850 & 2150 only)
17	725-3007A	1	/P	Positive Terminal Cover (Boot)
18	729-0357	1		Fuse Holder
19	725-1381	1	S	20-amp Fuse

13AT616H190 LT-1850 (2000)
Electrical (Twin Cylinder)

RELAY:725-1718	
C30	GREEN
C85	YELLOW/BLACK
C86	RED
C87	WHITE/BLACK
C87	WHITE

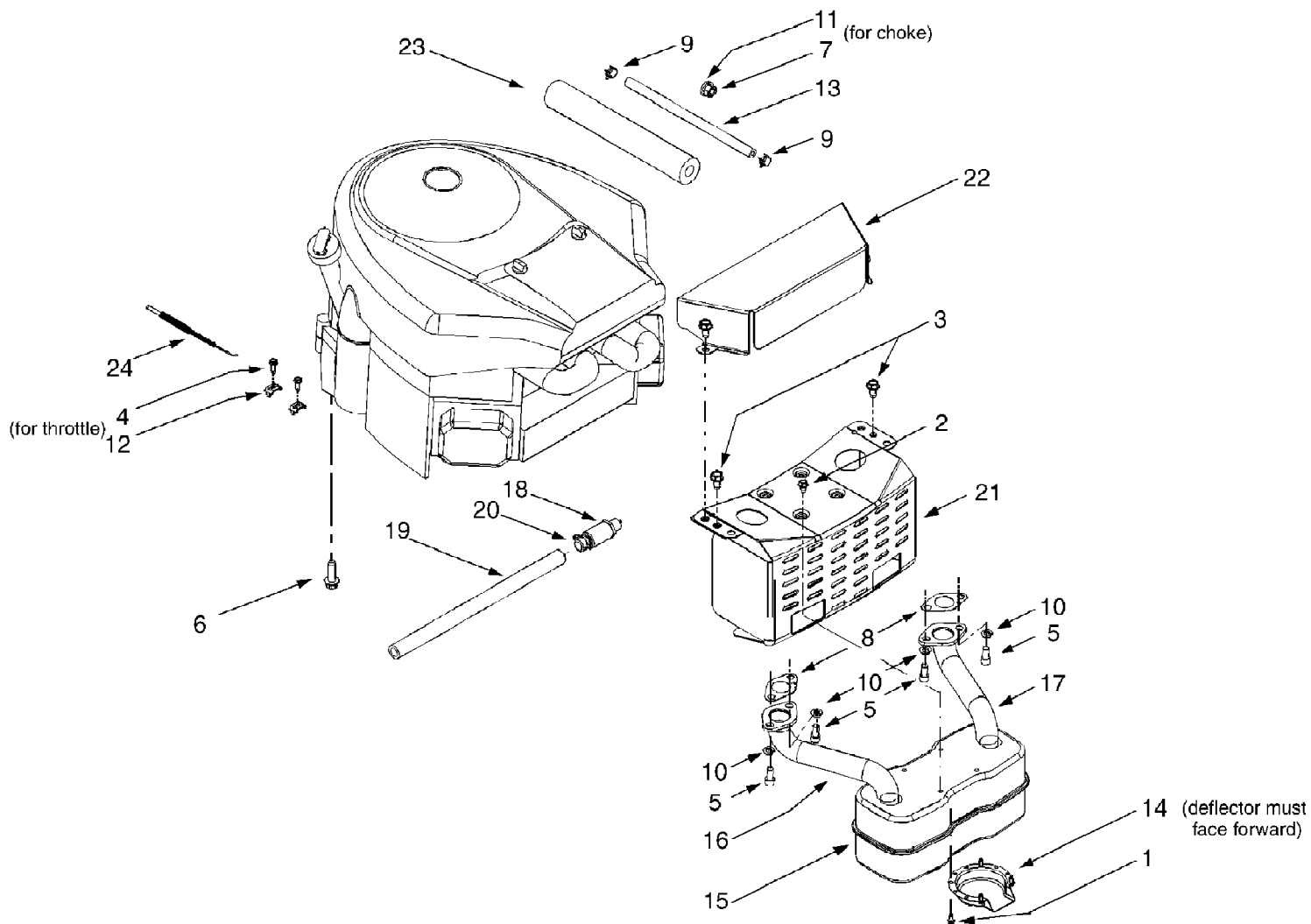


KEY SWITCH 725-1741		
OFF	G+M+A1	
RUN 1	B+A1	L+A2
RUN 2	B+A1	
START	B+S+A1	

13AT616H190 LT-1850 (2000)
Electrical (Twin Cylinder)

Page 14 of 23

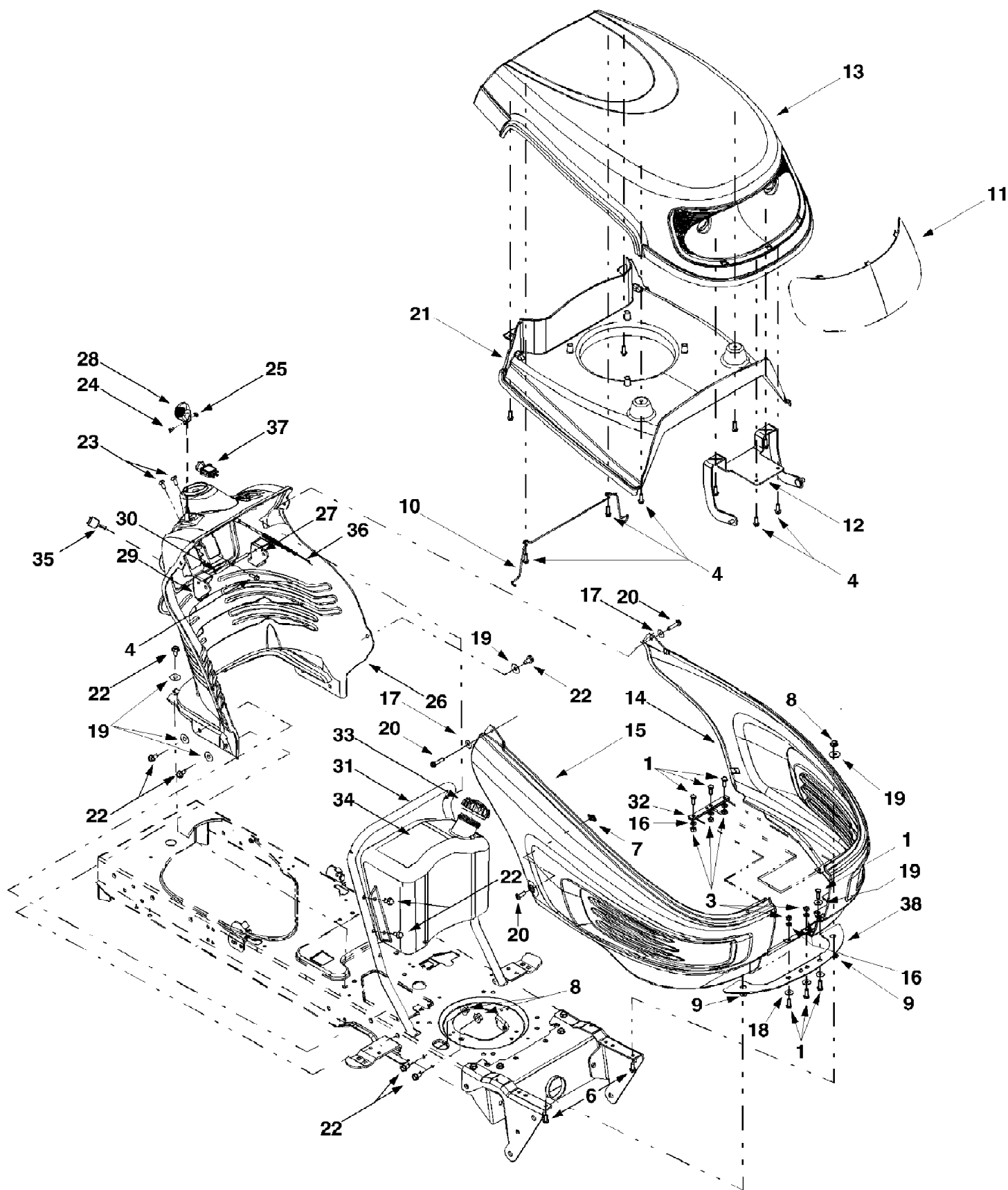
Ref #	Part Number	Qty	S/P/F	Description
7251718	725-1718	1	S	RELAY
7251648	725-1648	1	S	RELAY
7251716	725-1716	1	S	PTO SWITCH
7251741	725-1741	1	S	KEY SWITCH
7251657A	725-1657A	1	S	BRAKE SWITCH
7251426	725-1426	1	S	SOLENOID
7251381	725-1381	1	S	FUSE
7251643	725-1643	1		REVERSE SWITCH
7251747	725-1747	1	S	SEAT SWITCH



13AT616H190 LT-1850 (2000)
 Engine Accessories - Industrial Plus Twin

Page 16 of 23

Ref #	Part Number	Qty	S/P/F	Description
1	710-0148	1	/P	Self-tapping Screw, #8-32 x .375
2	710-0599	1	/P	Self-tapping Screw, 1/4-20 x .5
3	710-0604A	1	/P	Self-tapping Screw, 5/16-18 x .625
4	710-1237	1		Screw, #10-32 x .625
5	710-1314	1	S	Socket Cap Screw, 5/16-18 x .625
6	710-1315	1	/P	Self-tapping Screw, 3/8-16 x 1.25
7	712-3017	1	S	Hex Nut, 3/8-16
8	721-0460	1		Exhaust Gasket (Industrial Plus Twin)
9	726-0205	1	/P	Hose Clamp
10	736-0119	1	S	Lock Washer, 5/16
11	736-0300	1	S	Flat Washer, .406 x .875 x .059
12	751B221535	1	/P	Casing Clamp
13	751-0535	1		Fuel Line Hose
14	751-0564	1	S	Muffler Deflector
15	751-0616	1	S	Muffler, Twin Inlet
16	751-0650	1	S	RH Exhaust Pipe (Industrial Plus Twin)
17	751-0651	1	S	LH Exhaust Pipe (Industrial Plus Twin)
18	751-3140	1	S	Oil Drain Valve
19	751-3141	1	S	Oil Drain Hose
20	751-3142	1		Oil Drain Cap
21	783-0615	1	S	Muffler Heat Shield
22	783-0625B	1	S	Engine Heat Shield
23	722-0263	1	S	Foam (Fits over fuel line)
24	746-1086	1	S	Throttle Cable (Industrial Plus Twin)

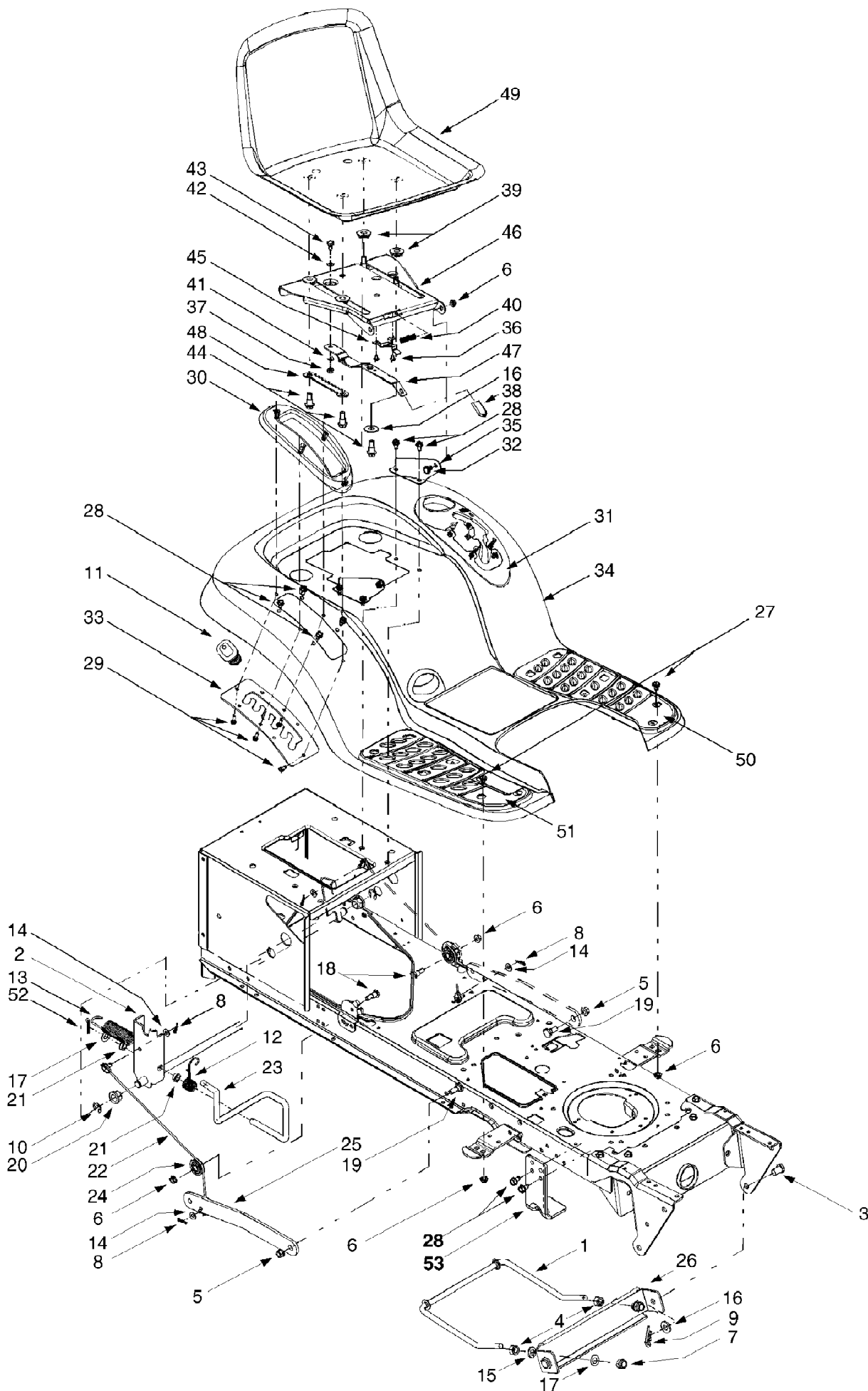


13AT616H190 LT-1850 (2000)
Hood & Fuel Tank

Page 18 of 23

Ref #	Part Number	Qty	S/P/F	Description
1	710-3015	1	/P	Hex Cap Screw, 1/4-20 x .75
?2	710-0599	1	/P	Self-tapping Screw, 1/4-20 x .5
3	712-3006	1	/P	Hex Nut, 1/4-20
4	710-0895	1		Self-tapping Screw, 1/4-15 x .75
?5	710-0924	1	/P	Pan Phillips Screw, 1/4-20 x .75
6	710-0528	1	/P	Hex Cap Screw, 5/16-18 x 1.25
	710-0528	1	/P	Hex Cap Screw, 5/16-18 x 2.0
	750-0807	1		Spacer, .385 x .625 x .70
7	712-0292	1	/P	U-type Speed Nut, 1/4-20
8	712-3004A	1	/P	Flange Lock Nut, 5/16-18
9	726-0201	1		Speed Nut
10	747-1209	1	S	Hood Latch Rod
11	731-2286	1	S	Head Light Lens
12	683-0305	1	S	Hood Bracket Assembly
13	731-2283	1	S	Hood
14	731-2307	1	S	LH Side Panel
15	731-2308	1	S	RH Side Panel
16	736-0329	1	S	Lock Washer, 1/4
17	736-0342	1		Flat Washer, .283 x .75 x .030
18	736-0173	1	/P	Flat Washer, .28 x .74 x .063
19	736-3078	1	/P	Flat Washer, .349 x 1.0 x .063
20	710-0809	1		Self-tapping Screw, 1/4-20 x 1.25
21	731-2284	1		Hood Plenum
22	710-0604A	1	/P	Self-tapping Screw, 5/16-18 x .625
23	710-1017	1	/P	Torx Self-tapping Screw, 1/4-14 x .625
24	710-3217	1	/P	Torx Screw, #8-32 x .375
25	712-0142	1	/P	Hex Nut, 8-32
26	731-0071	1	S	Dash Panel
27	731-0072	1		Parking Brake Button
28	731-1857	1		Throttle Control Lever
29	731-2106	1		Cruise Control Button
30	747-1155	1		Brake/Cruise Pivot Rod
31	749-1087	1	S	Dash Support Tube
32	783-1000	1	S	Grille Support Bracket
33	751-0603	1	S	Fuel Cap (Fits Either Tank)
34	751-0658A	1		Fuel Tank, 3-gallon (Model LT-1850 & LT-2150)
	751-0659	1	S	Fuel Tank, 2-gallon (Model LT-1650)
35	725-1745	1	S	Ignition Key w/ plastic cover
	725-1744	1	S	Ignition Key w/o plastic cover
36	746-1085	1	S	Choke Cable
37	725-1752	1	S	Electric PTO Switch
38	731-2272	1	/P	Heat Shield
	731-2232	1	S	Intake Bellow Model LT-1650; (Not Shown)
	731-2234	1	S	Intake Bellow Model LT-1850 & LT-2150; (Not Shown)

13AT616H190 LT-1850 (2000)
Seat, Fender, Frame



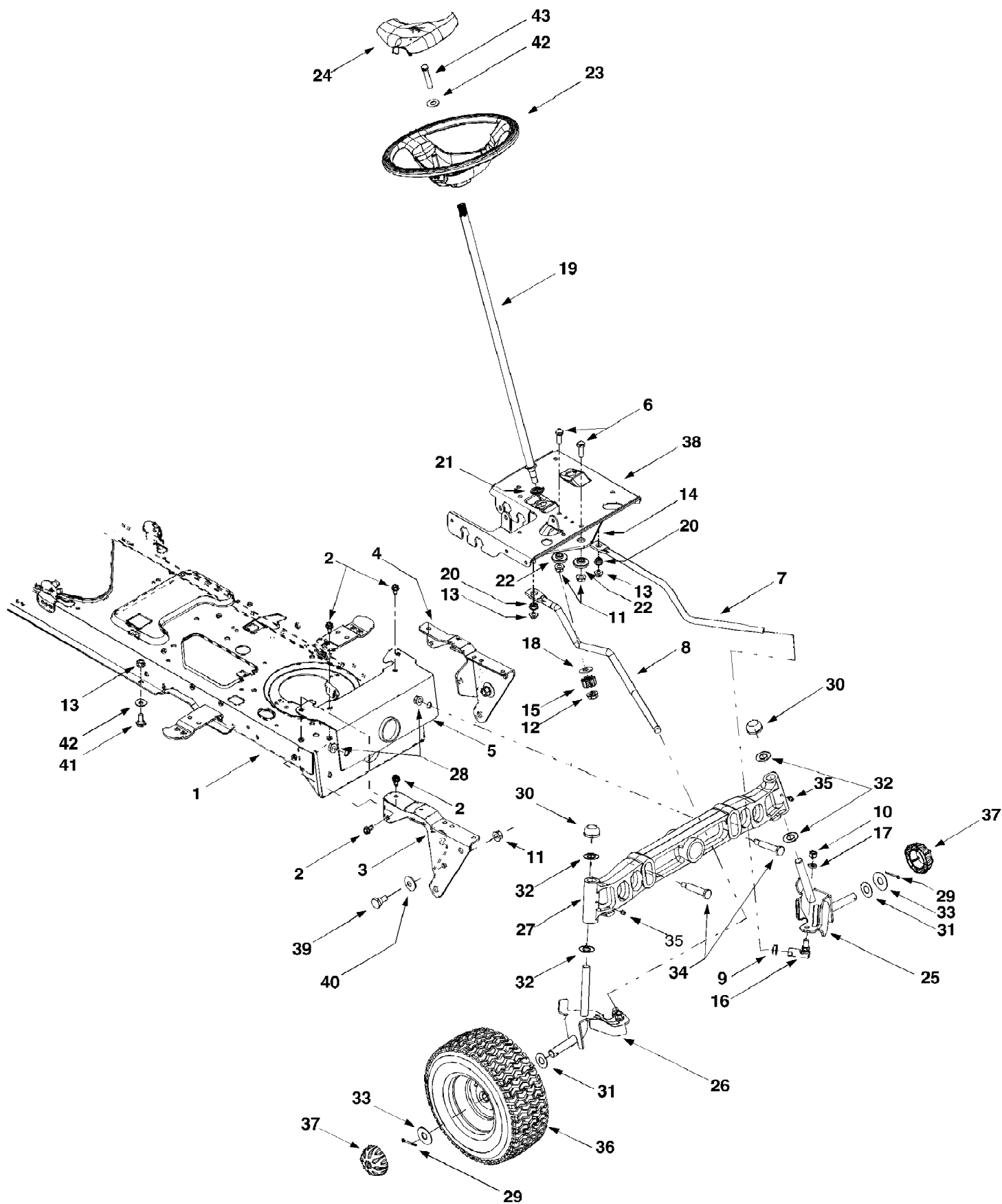
13AT616H190 LT-1850 (2000)
Seat, Fender, Frame

Page 20 of 23

Ref #	Part Number	Qty	S/P/F	Description
1	747-1130	1	S	Deck Stabilizer Rod
2	683-0197	1	S	Lift Shaft Assembly
3	711-0332	1	S	Clevis Pin, .5 x .78
4	712-0206	1	S	Hex Nut, 1/2-13
5	712-0431	1	S	Flange Lock Nut, 3/8-16
6	712-3004A	1	/P	Flange Lock Nut, 5/16-18
7	712-3083	1	/P	Hex Nut, 1/2-13
8	714-0104	1	S	Internal Cotter Pin
9	714-0145	1	S	Internal Cotter Pin
10	716-0106	1	/P	E-ring
11	720-0311	1		Handle Grip
12	732-0874	1	/P	Torsion Spring
13	732-0934	1		Lift-assist Spring, 1.15 x 5.99 (Found on Units w/ 46-inch Decks Only)
14	736-0275	1	S	Flat Washer, 5/16
15	736-0921	1	S	Lock Washer, 1/2
16	736-3019	1		Flat Washer, .31 x 1.062 x .134
17	736-3084	1	/P	Flat Washer, .51 x 1.12 x .06
18	738-0138	1	S	Hex Cap Screw, 5/16-18 x .62
19	738-0143	1	/P	Shoulder Screw, 3/8-16
20	741-0225	1	S	Hex Flange Bearing
21	741-0715	1	S	Snap Flange Bearing
22	746-0968	1		Lift Cable, 16.16
23	747-1111	1	S	Lift Handle
24	756-1154	1		Roller Pulley
25	783-0678	1	S	Arm Lift
26	783-0720A	1	S	Deck Stabilizer Bracket
27	710-0260	1	S	Carriage Bolt, 5/16 x .62
28	710-0604A	1	/P	Self-tapping Screw, 5/16-18 x .625
29	710-0895	1		Self-tapping Screw, 1/4-15 x .75
30	731-1990	1		Lift Lever Cover
31	731-2104A	1	S	Shift Lever Cover w/ Cup Holder
32	738-0155	1	S	Shoulder Screw, .437 x 1.62
33	783-0677	1	S	Lift Adjustment Bracket
34	783-0685A	1	S	Fender
35	783-0715	1	S	Seat Mounting Bracket
36	710-1268	1	/P	Screw, #10-16 x .375
37	712-3027	1	S	Hex Flange Lock Nut, 1/4-20
38	720-0309A	1	/P	Seat Adjuster Grip
39	731-1989	1		Spacer
40	732-0499	1		Compression Spring, .41 x 1.5
41	736-0175	1	S	Spring Washer, .265 x .562 x .025
42	736-0204	1	/P	Flat Washer, .344 x .62 x .03
43	738-0137A	1	S	Shoulder Screw, .340 x .285, 1/4-20
44	738-1007	1		Shoulder Screw, .50 x .50, 3/8-16
45	783-0611	1		Seat Stop
46	783-0738	1	S	Seat Pivot Bracket
47	783-0739	1		Seat Adjustment lever
48	783-0753	1		Seat Adjustment Selector
49	757-0350	1	S	High Back Seat, Black
50	735-0657	1		LH Foot Pad
51	735-0656	1		RH Foot Pad

13AT616H190 LT-1850 (2000)
Seat, Fender, Frame

Ref #	Part Number	Qty	S/P/F	Description
	726-3046	1	/P	Foot Pad Clips (Not Shown)
52	714-0111	1	S	Cotter Pin
53	783-0891A	1	/P	Deck Stop



13AT616H190 LT-1850 (2000)
Steering, Front Wheel & Axle

Page 23 of 23

Ref #	Part Number	Qty	S/P/F	Description
1	683-0304	1	S	Lower Frame Assembly
2	710-0604A	1	/P	Self-tapping Screw, 16-18 x .625
3	783-0726A	1	S	RH Pivot Support Bracket
4	783-0727	1	S	LH Pivot Support Bracket
5	783-0728	1		Pivot Bar Bracket
6	710-0514	1	/P	Hex Cap Screw, 3/8-16 x 1 (Grade 5)
7	711-1409	1	S	LH Drag Link
8	711-1408	1		RH Drag Link
9	712-0240	1	S	Jam Nut, 7/16-20 (Grade 2)
10	712-0241	1	/P	Hex Nut, 3/8-24 (Grade 2)
11	712-0431	1	S	Flange Lock Nut, 3/8-16
12	712-0459	1	/P	Flange Lock Nut, 7/16-20
13	712-3004A	1	/P	Flange Lock Nut, 5/16-18
14	717-1550A	1	S	Steering Gear, 11/90 Ratio
15	717-1554	1		Steering Pinion Gear
16	723-0448A	1	S	Ball Joint, 7/16-20
17	736-0169	1	S	Lock Washer, 3/8
18	736-3084	1	/P	Flat Washer, .51 x 1.12 x .06
19	738-1001A	1	/P	Steering Shaft, .625 OD x 24.4
20	741-0475	1	S	Plastic Bushing, .38 ID
21	741-0656	1	S	Hex Flange Bearing, 5/8
22	738-0372	1	S	Shoulder Spacer, .38 ID
23	731-2295	1	S	Soft Touch Steering Wheel
24	731-2296	1		Steering Wheel Insert
25	638-0021	1	S	LH Axle Assembly (Model LT-1850 & LT-2150)
	638-0019	1	S	LH Axle Assembly (Model LT-1650)
26	638-0022	1	S	RH Axle Assembly (Model LT-1850 & LT-2150)
	638-0020	1	S	RH Axle Assembly (Model LT-1650)
27	719-0525B	1	S	Cast Iron Pivot Bar
28	712-0431	1	S	Flange Lock Nut, 3/8-16
29	714-0470	1	S	Cotter Pin
30	726-0341	1	/P	Push Cap, .750
31	736-0162	1	/P	Flat Washer, .64 x 1.0 x .12
32	736-0316	1	S	Flat Washer, .78 x 1.59 x .06
33	736-0285	1	/P	Flat Washer, .635 x 1.589 x .06
34	738-1011	1	S	Shoulder Screw, .5 x 2.2, 3/8-16
35	737-3000	1	S	Lube Fitting, 3/16
36	634-0115	1		Wheel Assembly Complete, 15 x 6 x 6
	634-0051	1	S	Rim Only w/ Ball Bearing
	734-0255	1	S	Air Valve (Not Shown)
	734-1731	1		Tire Only, Square Shoulder
37	731-2290	1	S	Hub Cap
38	783-0653A	1	S	Steering Support Bracket
39	738-0143	1	/P	Shoulder Screw, 3/8-16
40	736-0331	1	/P	Bell Washer, .39 x 1.13 x .062
41	738-0140	1	S	Shoulder Screw, .435 x .178, 5/16 x .56
42	736-0242	1	/P	Bell Washer, .34 x .872
43	710-0643	1	/P	Hex Bolt, 5/16-18 X 1